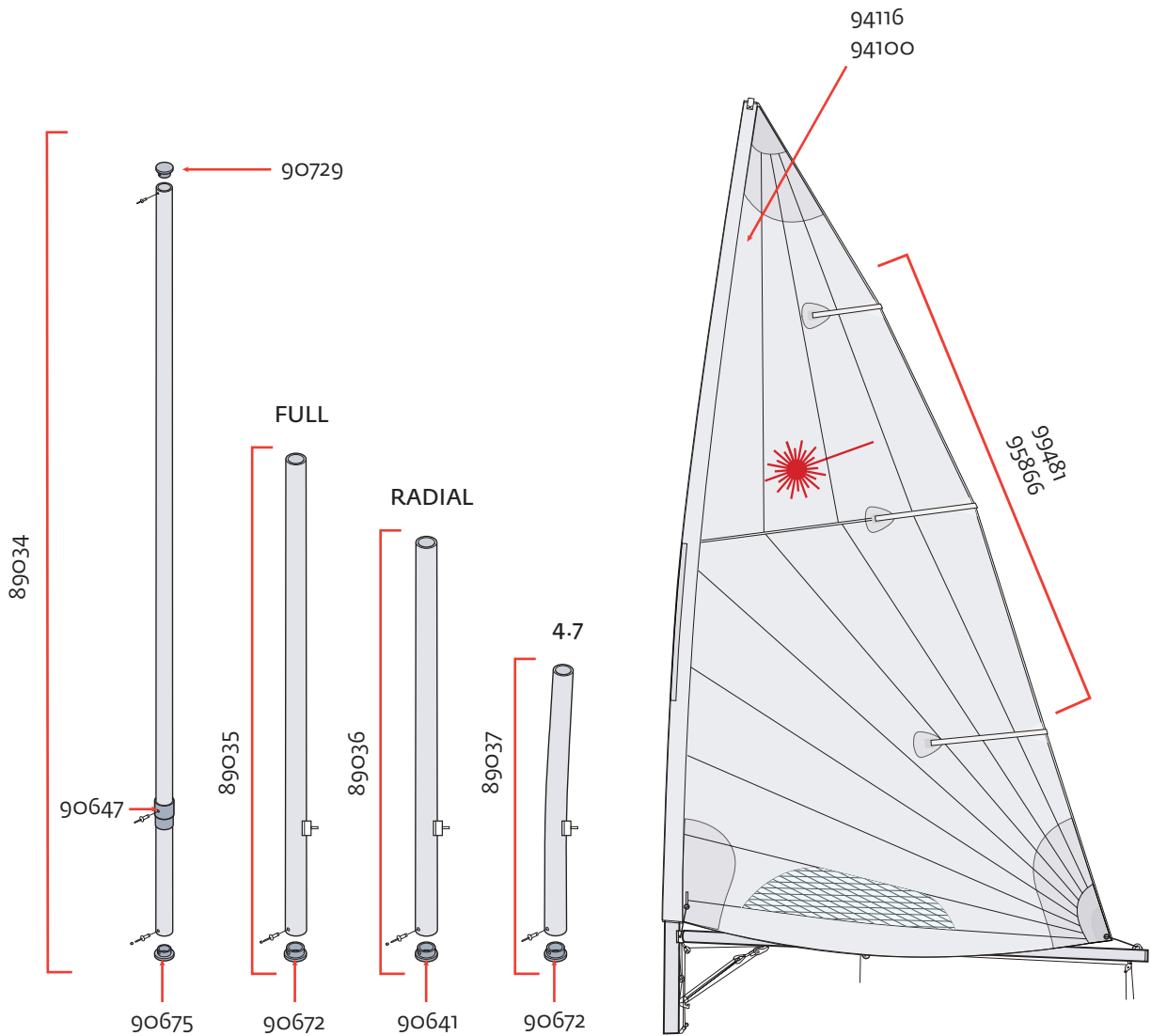




Laser PARTS LOCATOR

Laser Sails



LASER PARTS LOCATOR

PART NUMBER PART NAME

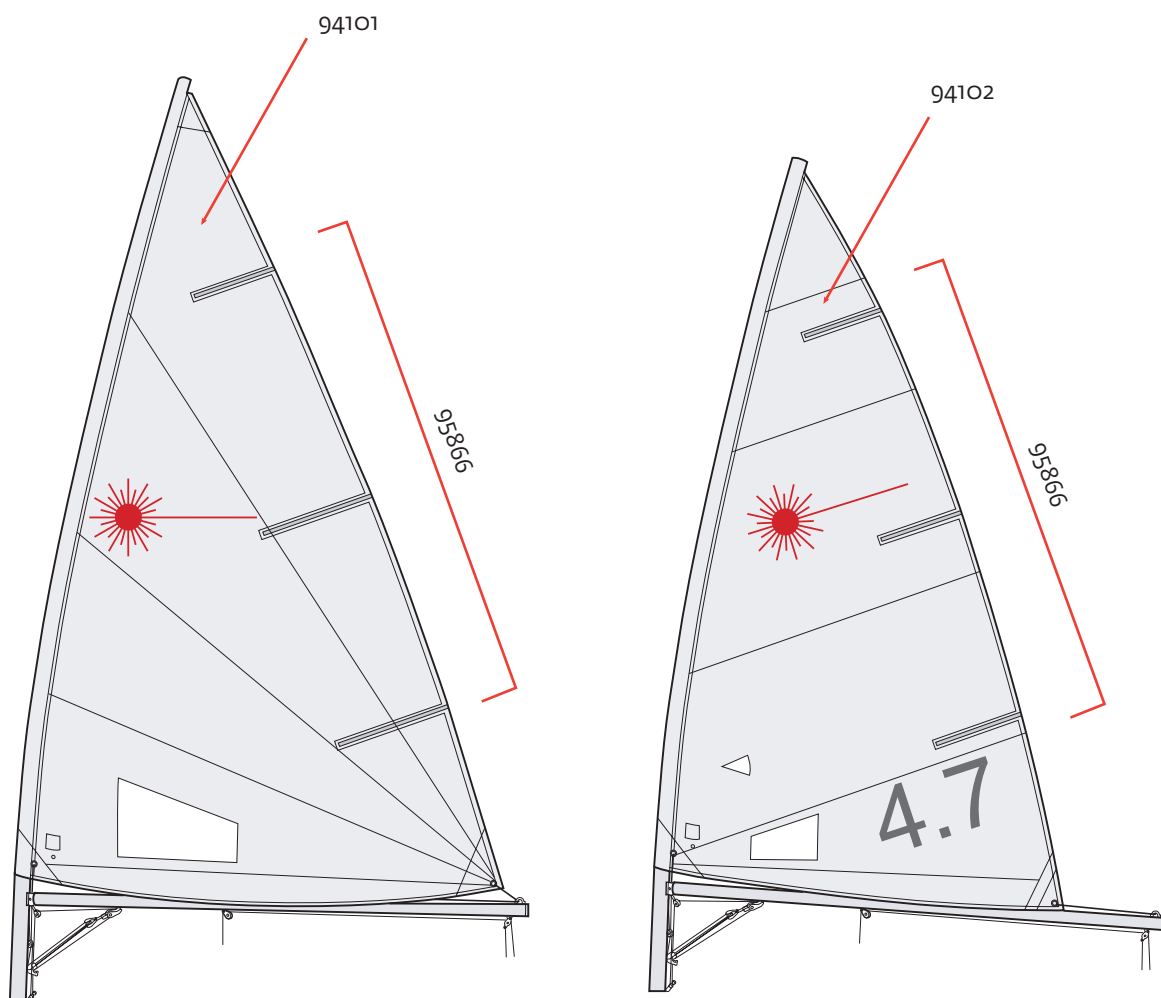
94100	STANDARD, MK I
94116	STANDARD, MK II
95866	BATTEN, MK I
99481	BATTEN, MK II

SAIL NUMBERS

SAIL BAGS

PART NUMBER	PART NAME	PART NUMBER	PART NAME
95843	9IN, BLUE	95801	4.7 SAILBAG, WHITE
95844	9IN, RED	95802	RADAIL SAILBAG, RED
95845	12IN, BLUE	95803	STANDARD SAILBAG, BLUE
95846	12IN, RED		
95853	12IN, BLACK	95869	BATTEN TIPS

Laser Sails



LASER PARTS LOCATOR

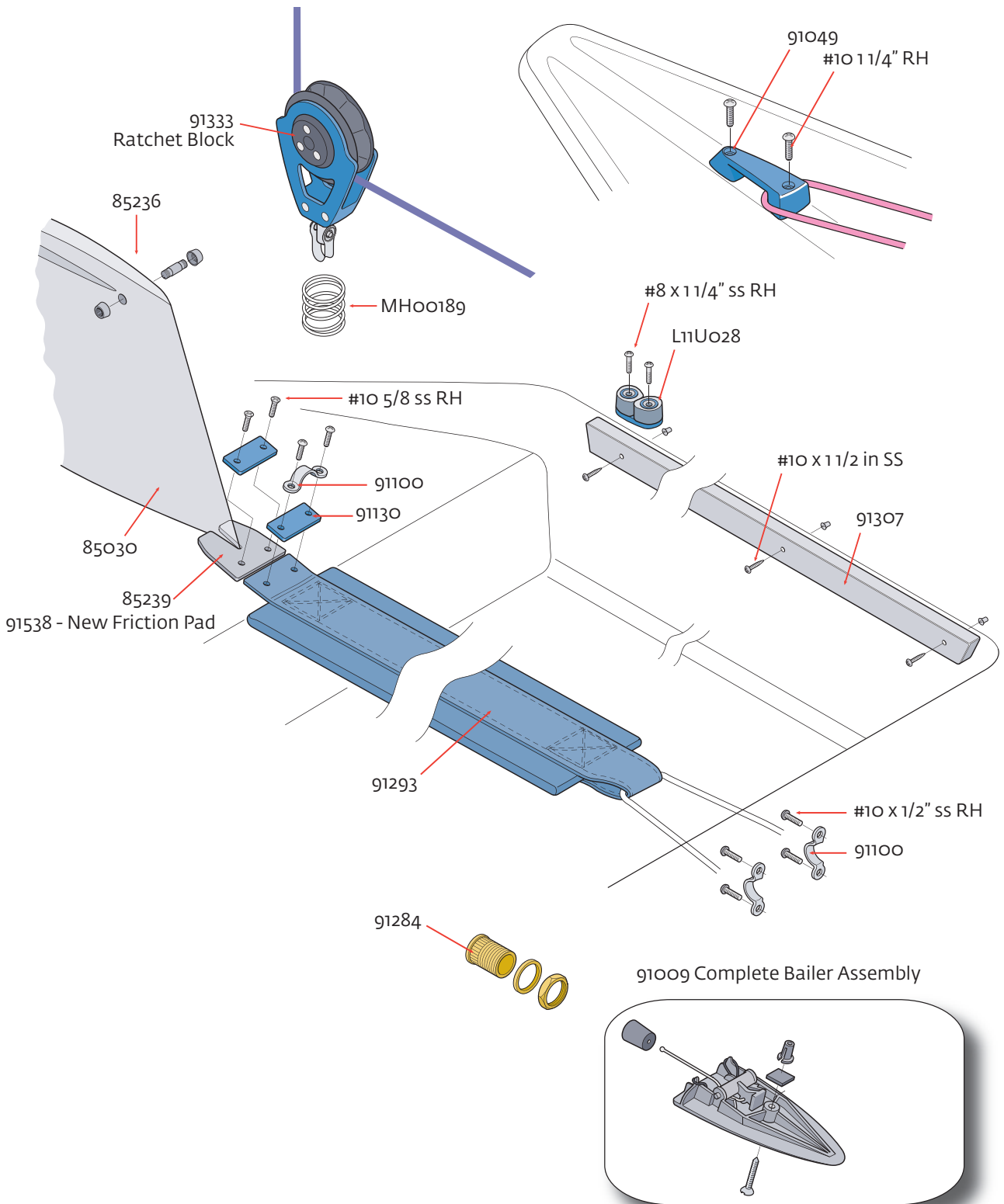
PART NUMBER PART NAME

94101 RADIAL

94102 4.7



Laser Deck



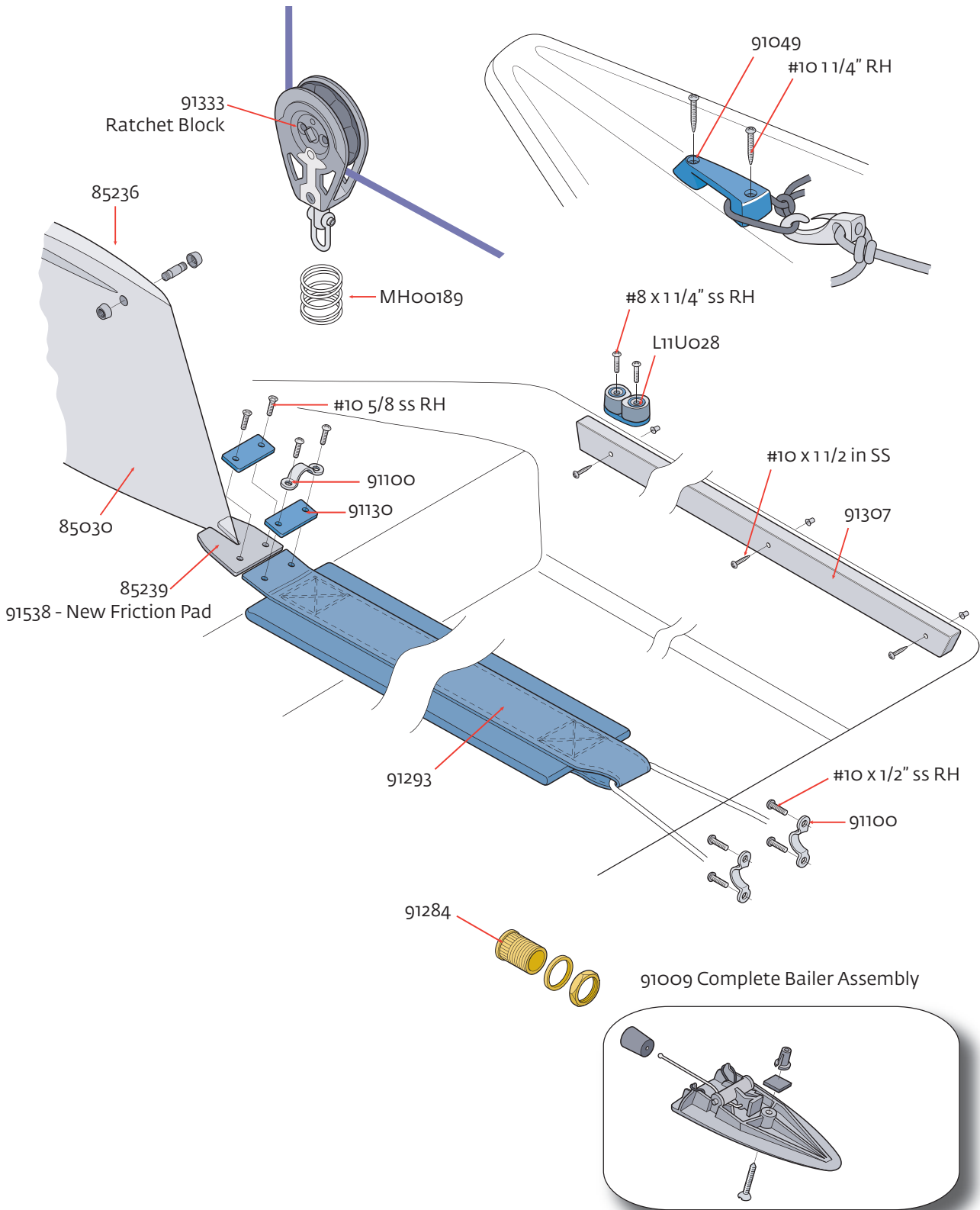
LASER PARTS LOCATOR

LASER HIKING STRAPS

PART NUMBER PART NAME

91293 XD STYLE

Laser Race Deck



LASER PARTS LOCATOR

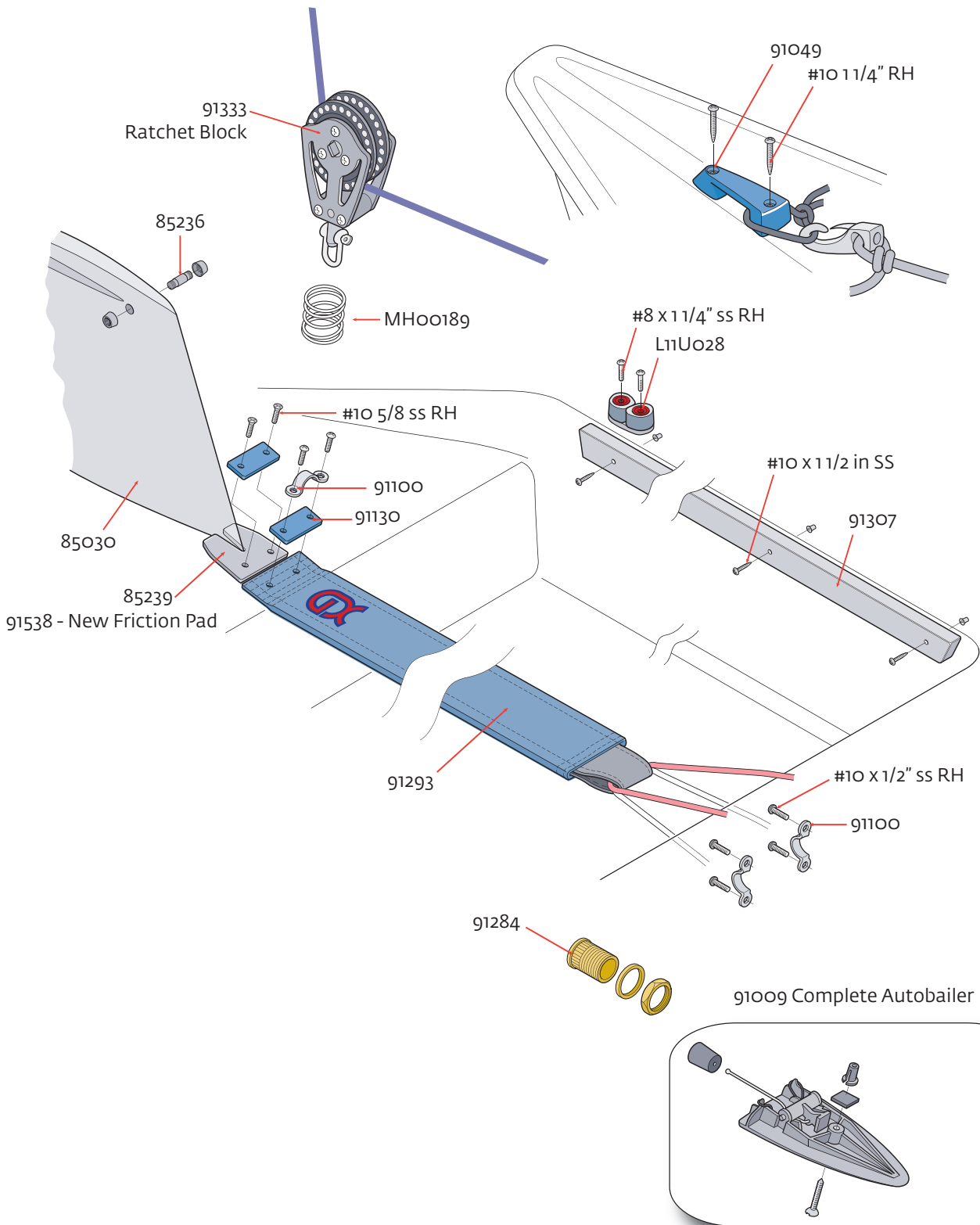
LASER HIKING STRAPS

PART NUMBER PART NAME

91293 XD STYLE



Laser XD Deck



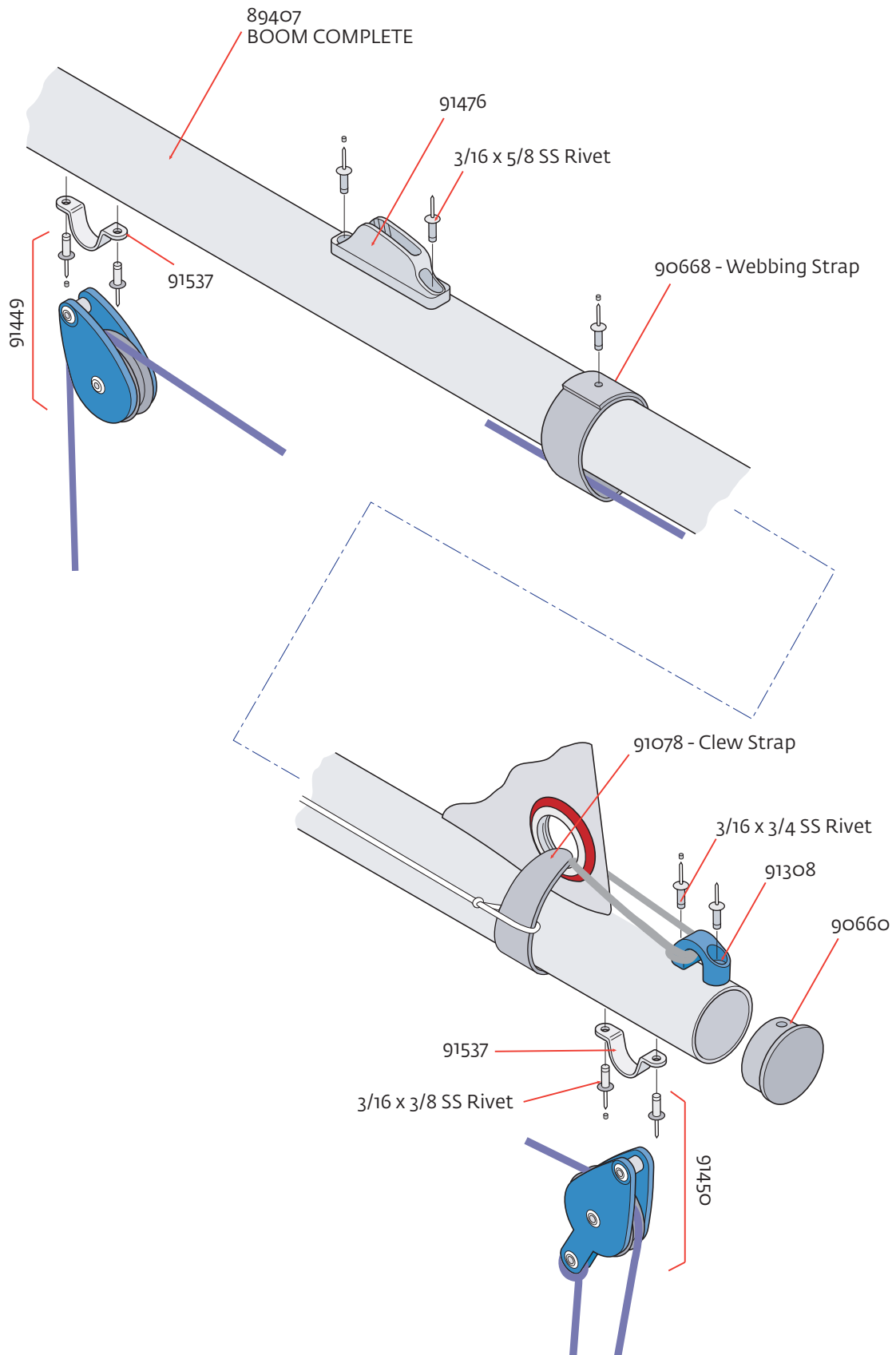
LASER PARTS LOCATOR

LASER HIKING STRAPS

PART NUMBER PART NAME

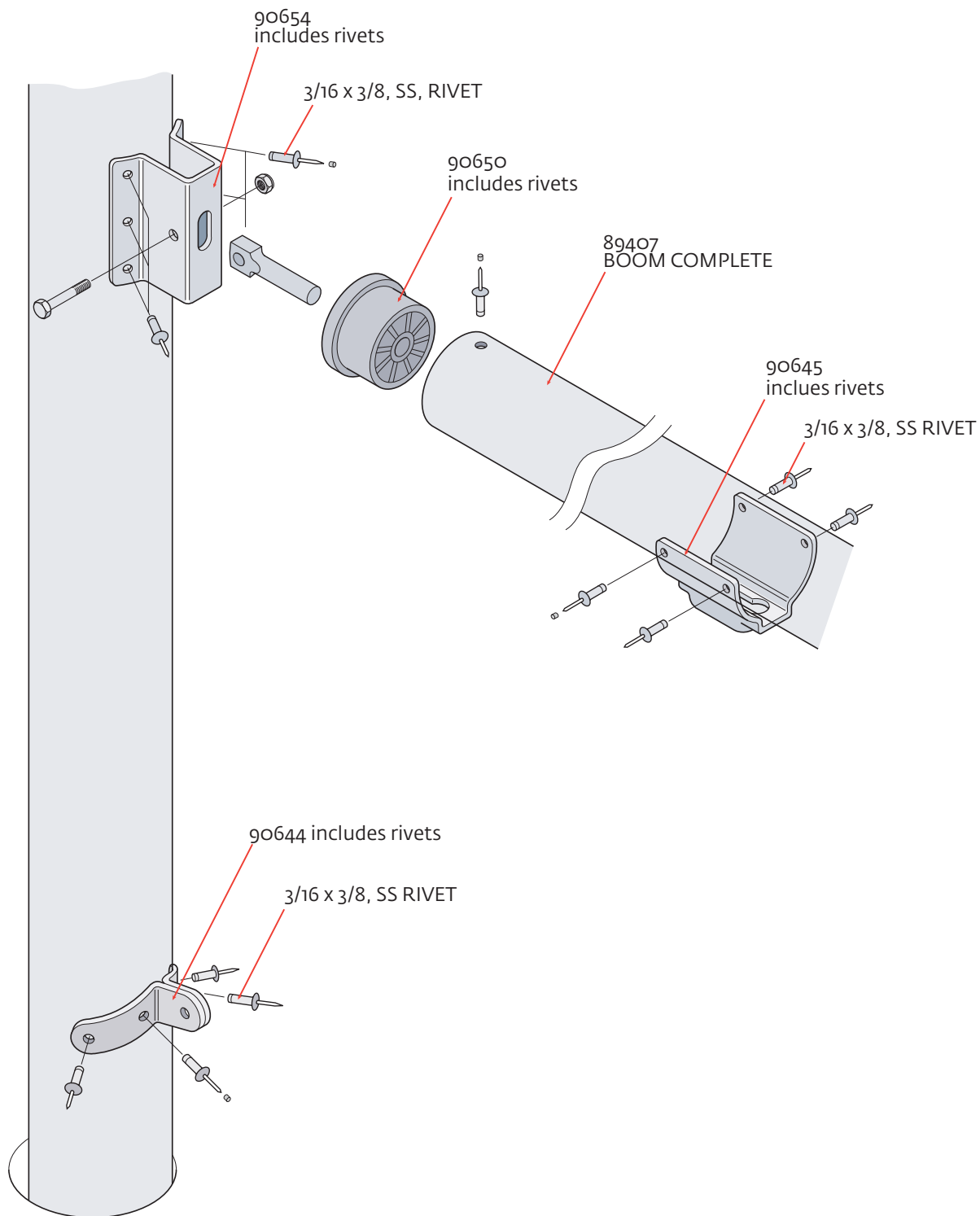
91293 XD STYLE

Laser Outhaul



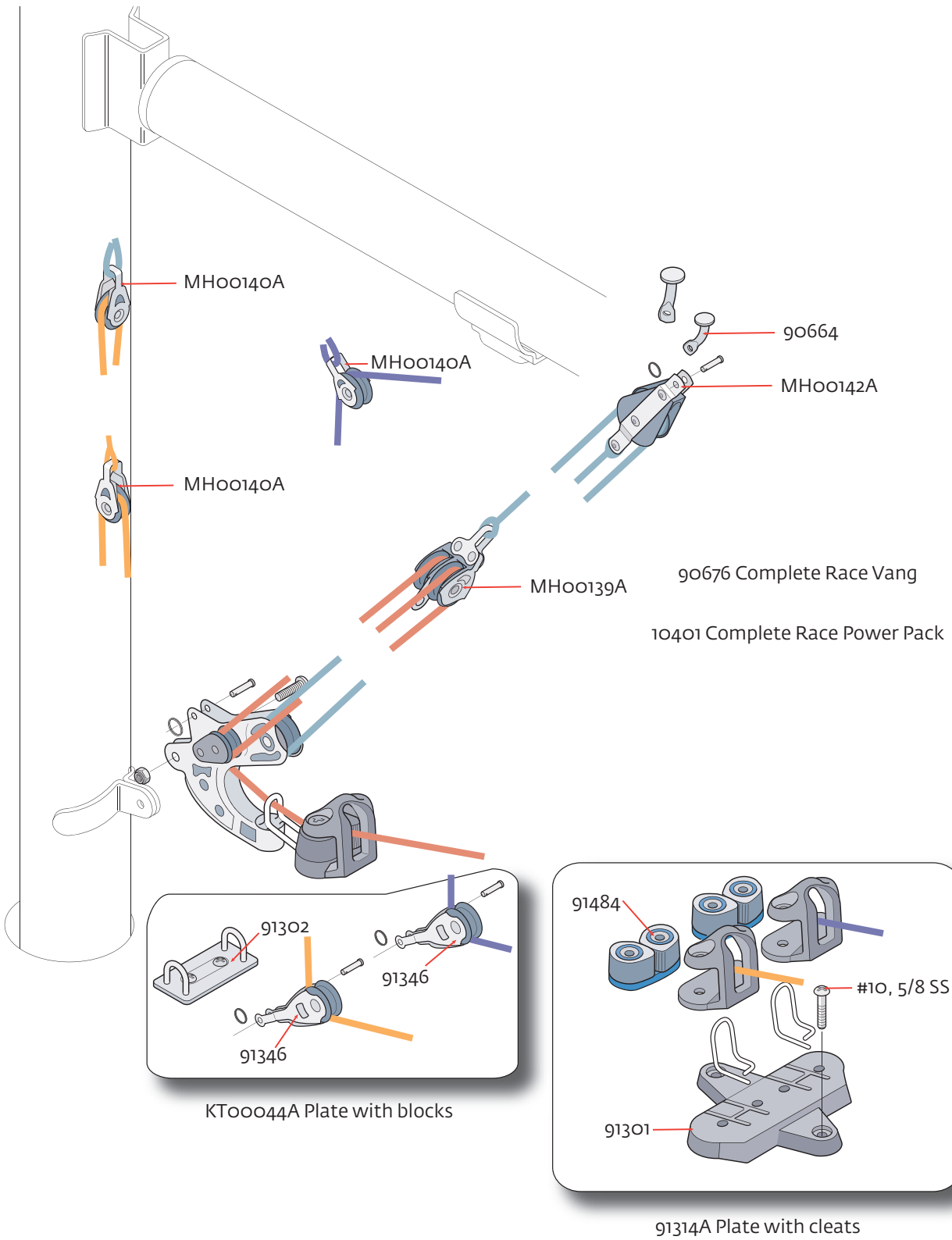
LASER PARTS LOCATOR

Laser Gooseneck



LASER PARTS LOCATOR

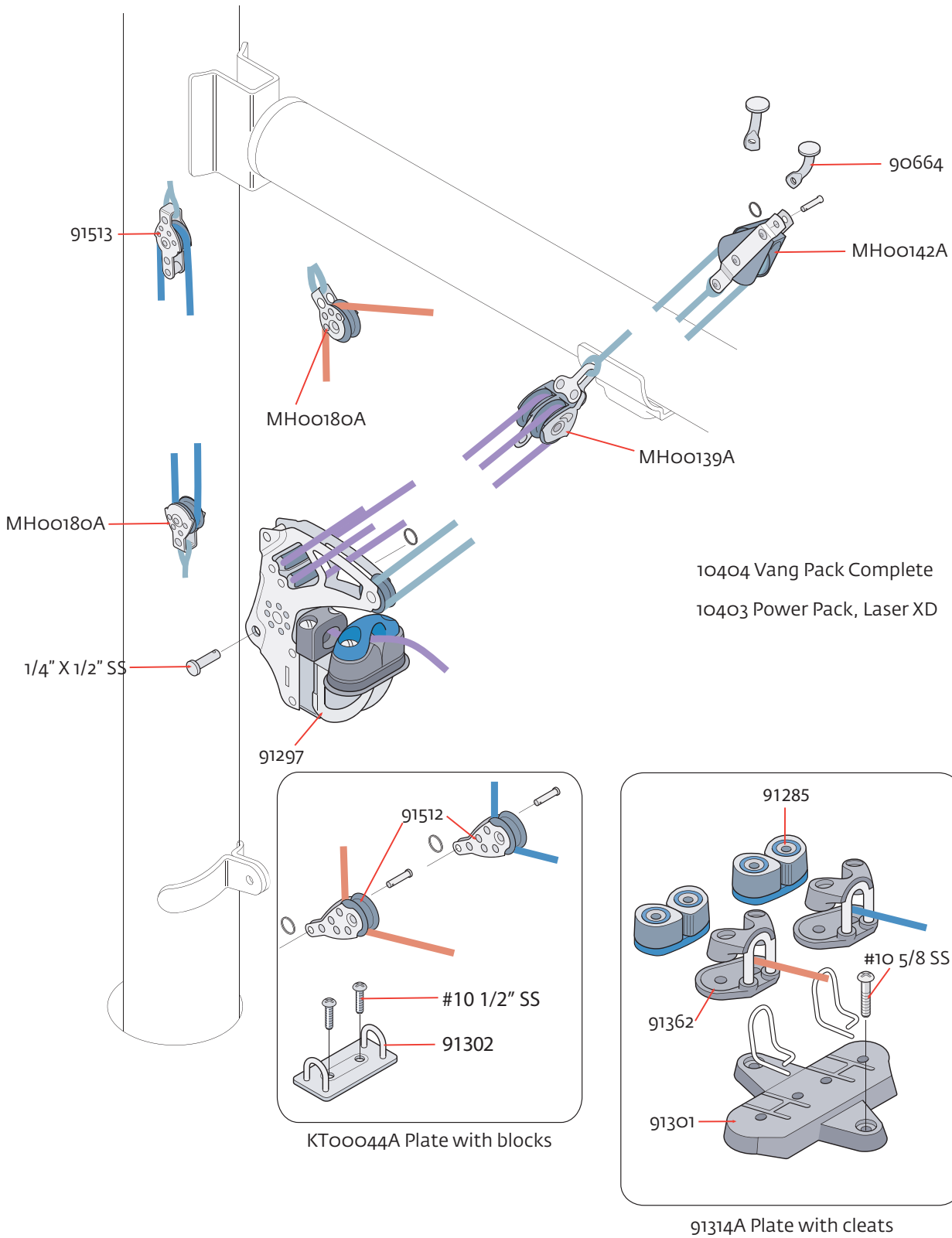
Laser Race Vang



LASER PARTS LOCATOR

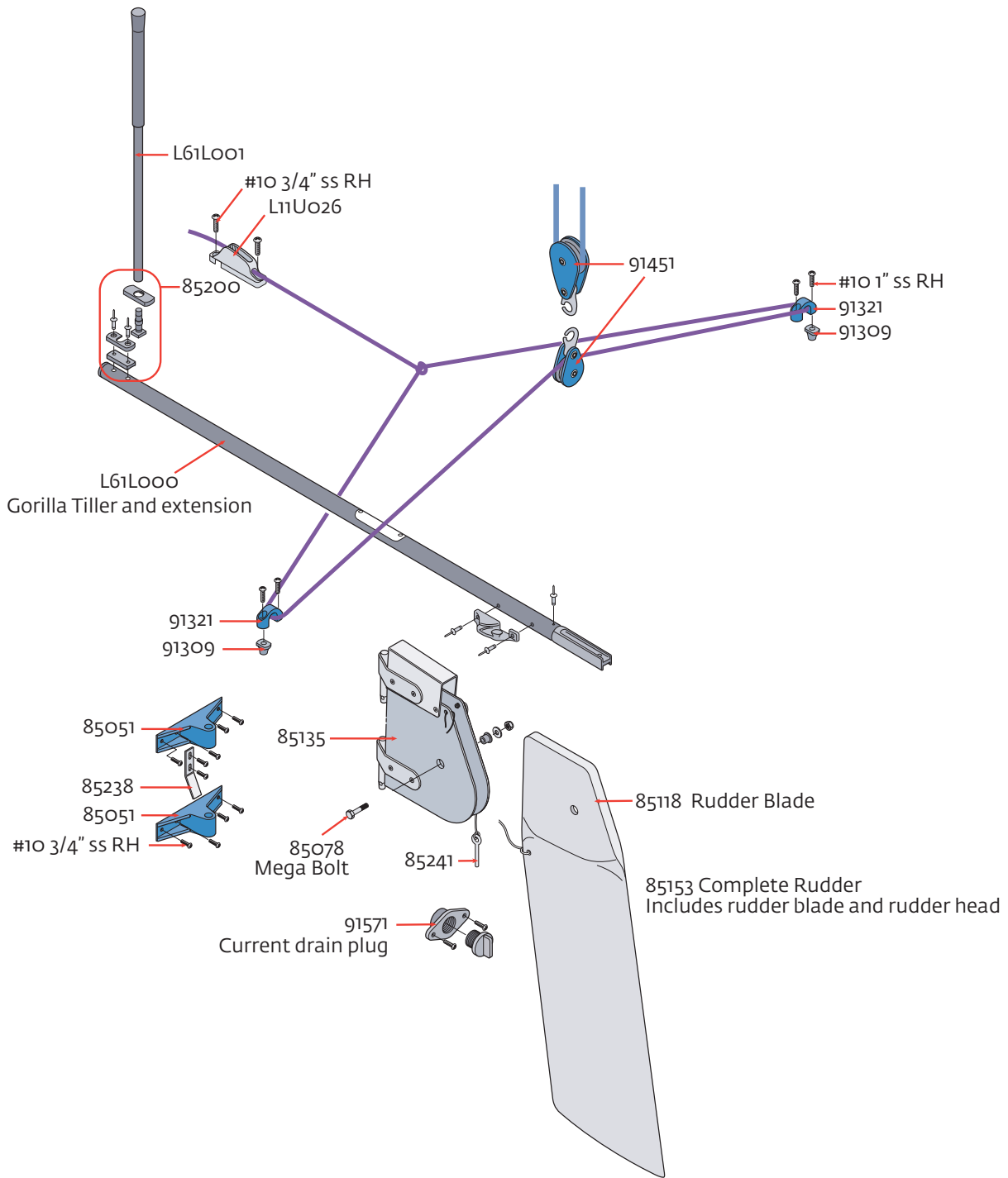


Laser XD Vang



LASER PARTS LOCATOR

Laser Rudder

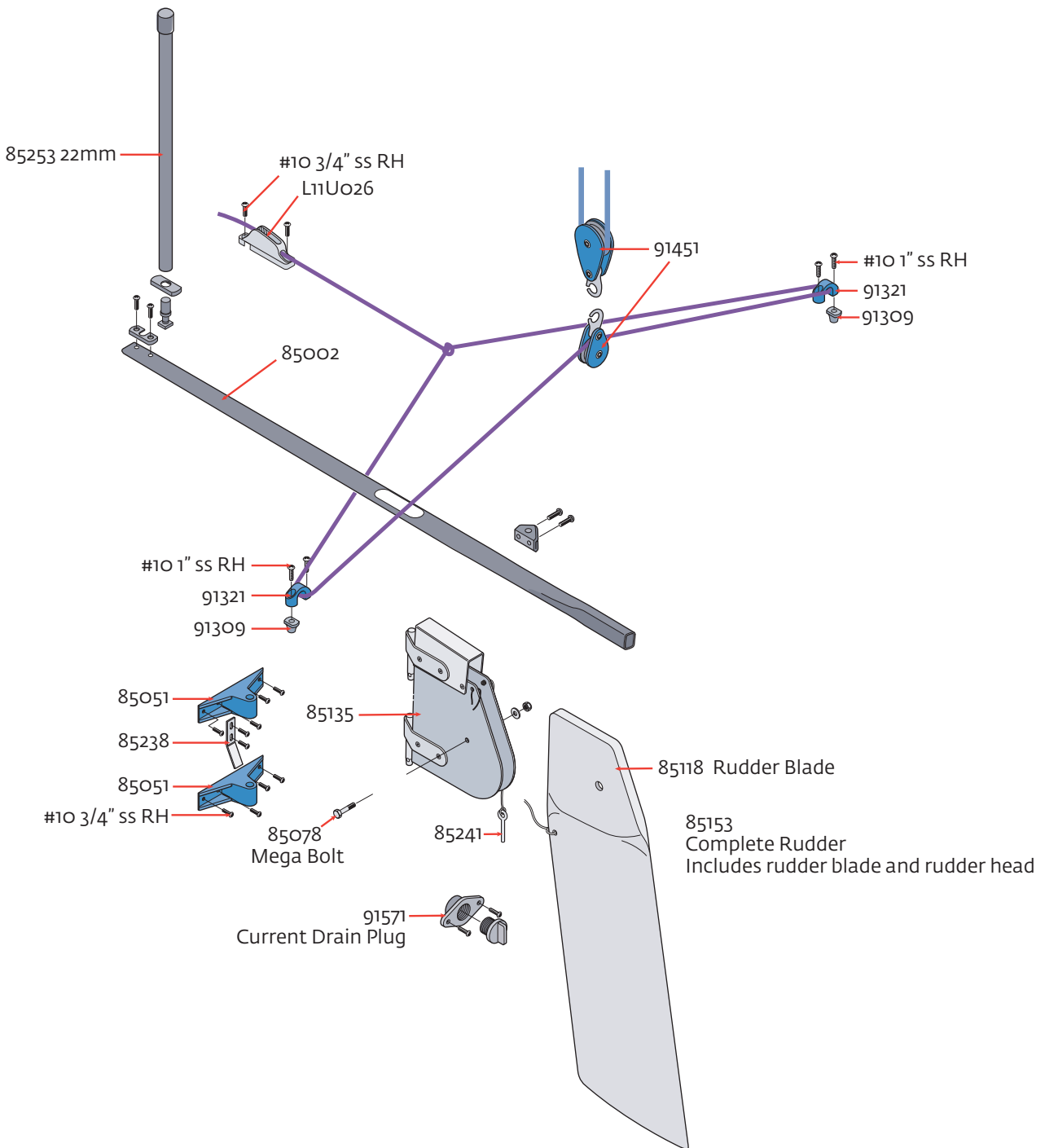


LASER PARTS LOCATOR

LASER DRAIN PLUGS - WITH APPROXIMATE YEAR OF USE

PART NUMBER	PART NAME
91093	WHITE BAYONETTE (2), USED '70-'88
91086	RWO, BLACK (1), USED '89-'97
91090	HOLT, GREY (1), USED '98-'01
91085	BECKSON, BLACK (1), USED '02-'07
91571	HOLT BLACK USED '08-CURRENT

Laser XD Rudder



LASER PARTS LOCATOR

LASER DRAIN PLUGS - WITH APPROXIMATE YEAR OF USE

PART NUMBER	PART NAME
91093	WHITE BAYONETTE (2), USED '70-'88
91086	RWO, BLACK (1), USED '89-'97
91090	HOLT, GREY (1), USED '98-'01
91085	BECKSON, BLACK (1), USED '02-'07
91571	HOLT BLACK USED '08-CURRENT

